

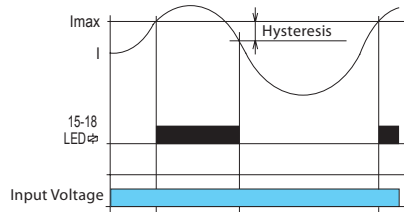


061316

FEATURES

- Current toroid located in control, with easy access for connection
- No shunt resistor required
- Current adjustment via potentiometer, 1 to 20 Amps
- Universal input 24-240VAC and 24VDC
- Monitored current must not exceed 100 Amps
- Relay output form: SPDT – 8 Amps
- Output indicator: Red LED
- Single-phase applications
- DIN rail mounting
- UL and CE approvals, RoHS compliant

FUNCTION

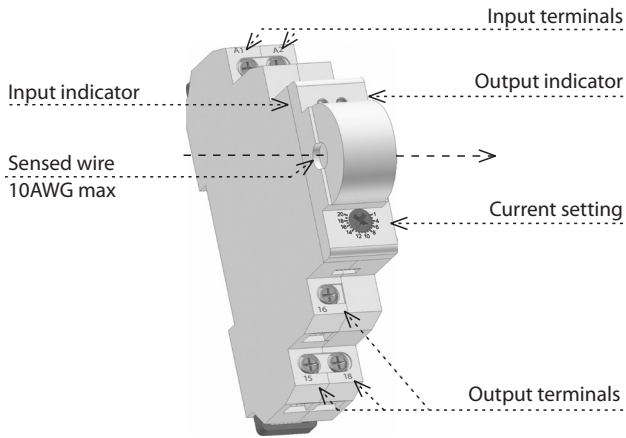


Peltec 332 current sensor is designed for single-phase overcurrent monitoring.
 Set point is determined by adjustable potentiometer from 1 to 20 Amps.
 Relay transfers on sensed overcurrent.

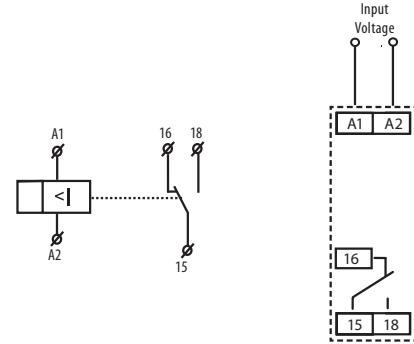
SPECIFICATIONS

- Input terminals** A1-A2
- Input voltage** 24-240VAC (AC 50/60Hz), 24VDC
- Input voltage tolerance** ... -15% to +10%
- Power consumption (max)** .. 1.5VA
- Current range**..... 1-20 Amps
- Current set by** Potentiometer
- Setting accuracy**..... 5%
- Repeatability**..... <1%
- Limit values tolerance** 5%
- Overload capacity (max)** .. 100A/10s
- Relay output form** SPDT
- Rated current**..... 8 Amps
- Switching capacity** 2500 VA/ AC, 240 W/ DC
- Output indicator** Red LED
- Operating temperature** ... -20°C to +55°C
- Storage temperature**..... -30°C to +70°C
- Dielectric strength** 4 kV
- Operating position** any
- Mounting**..... DIN rail EN 60715
- Protection degree** IP 40 from front panel
- Wire size (max)** 10AWG
- Standards** EN 60255-6, EN 61010-1, UL, CE, RoHS

FEATURES



WIRING DIAGRAM



061316

